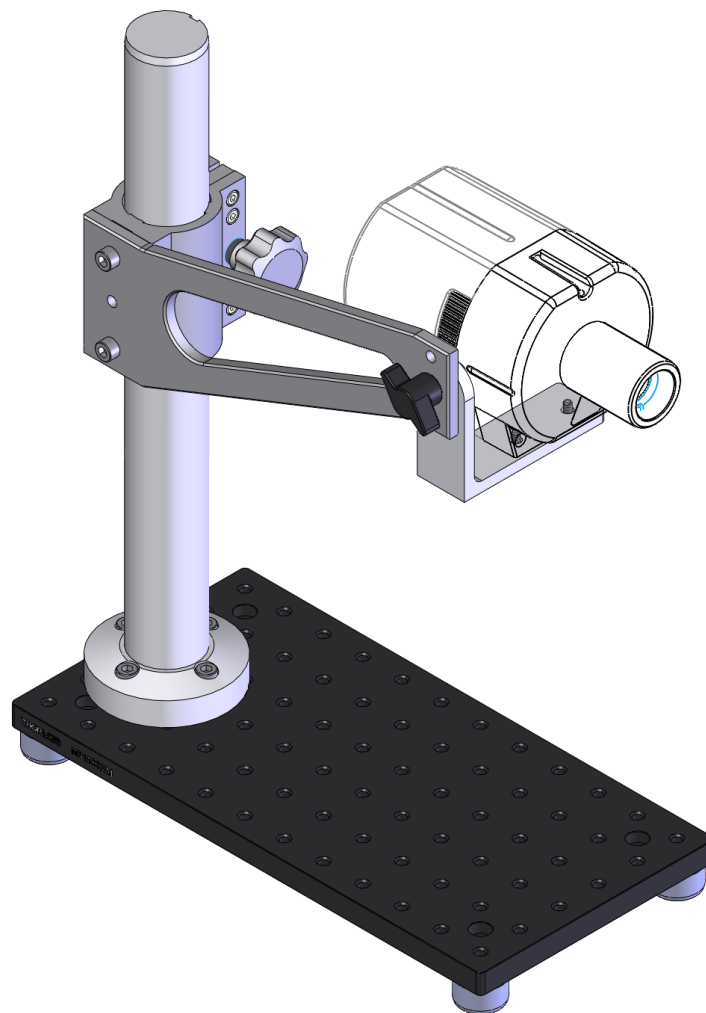




2970A-105 Mounting Kit Assembly Instructions

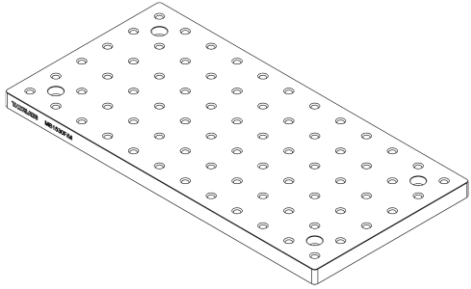




0.0 Introduction

This document provides assembly instructions of Innovations In Optics' 2970A-105 Mounting Kit

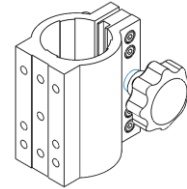
1.0 In the box:



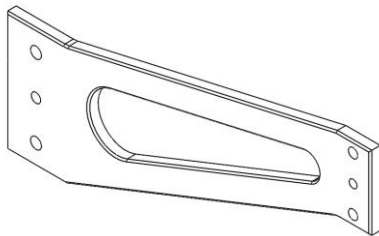
Metric Breadboard (1)



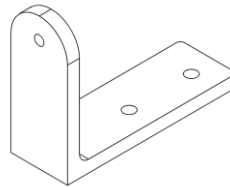
Optical Post (1)



Optical Post Clamp (1)



Boom Arm (1)



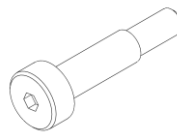
Swivel Adapter (1)



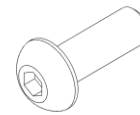
Knob (1)



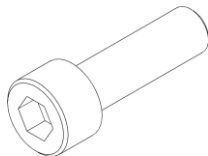
Rubber Foot (4)



Shoulder Screw (1)



Screw M4 x 12 long (2)



Screw M6 x 20 long (4)



Screw M6 x 12 long (6)



Washer M4, 12 OD (2)



Washer, Splitlock, M5 (1)



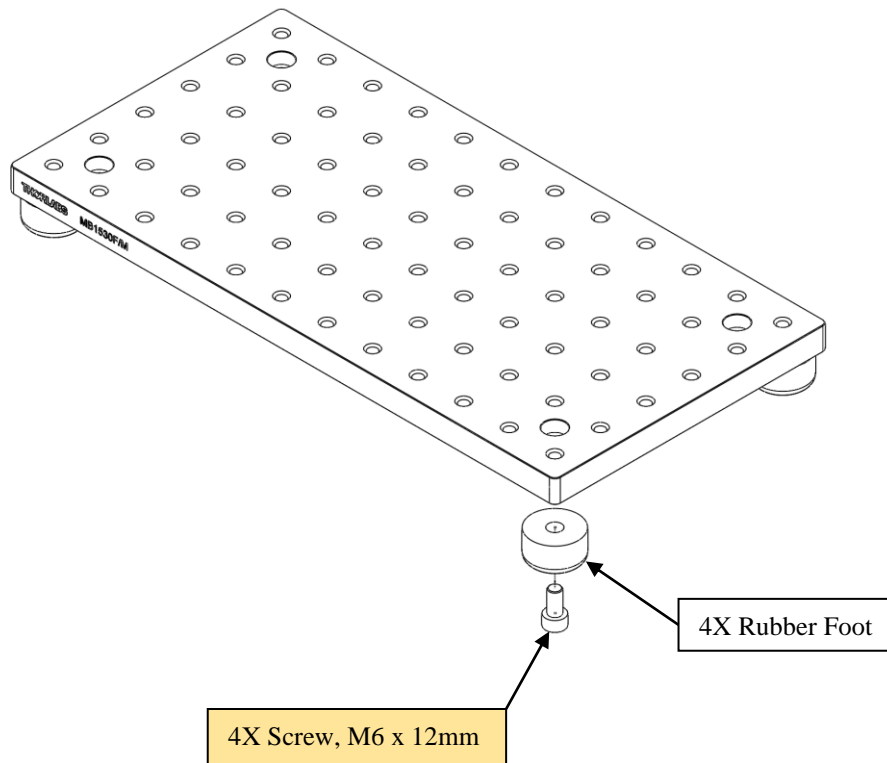
Washer, #10, .44" OD (1)

2.0 Tools Required

- 2.5mm driver (for shoulder screw and M4 screws)
- 5mm driver (for M6 screws)

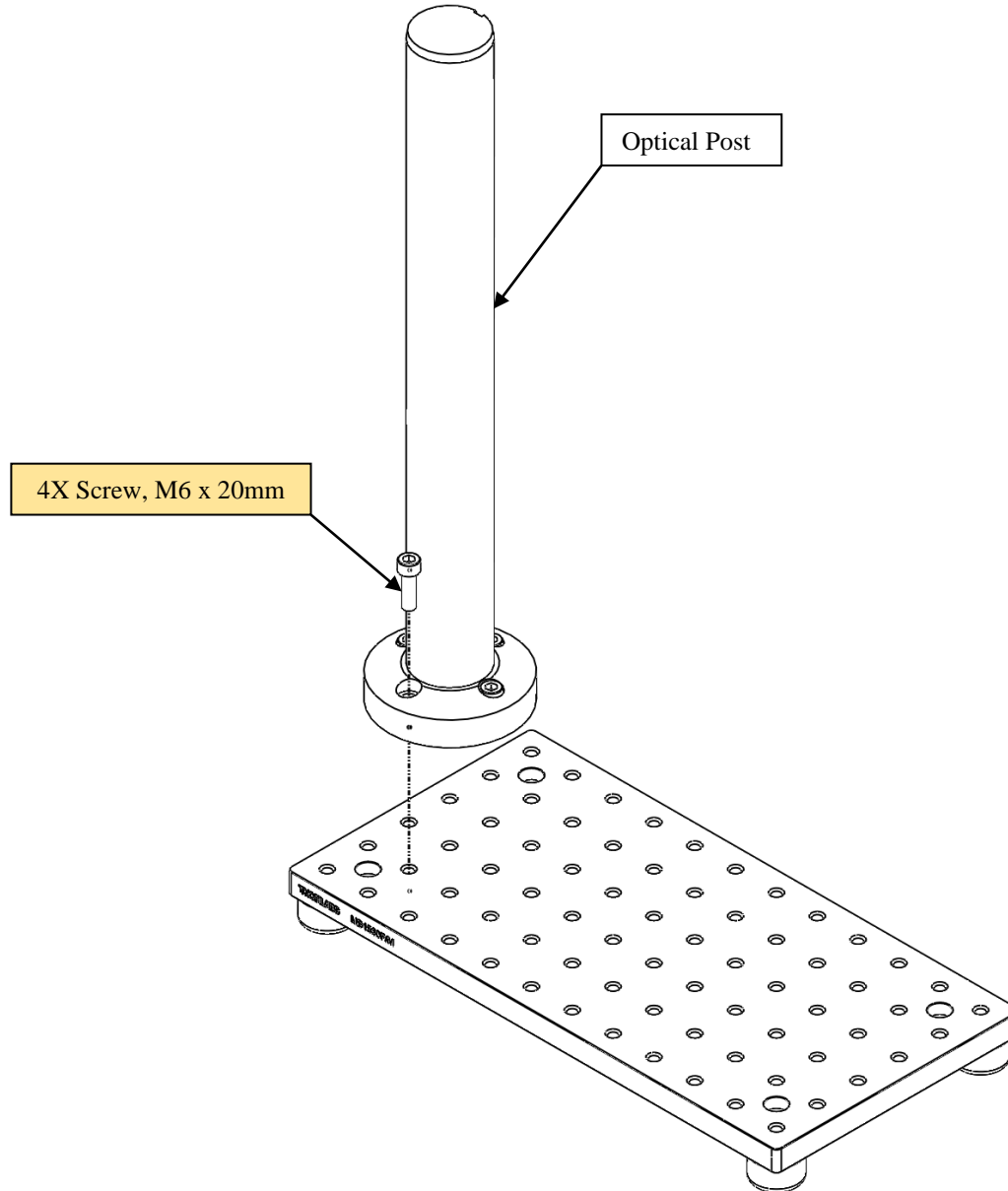
3.0 Assembly Procedure

- 3.1 Install rubber feet to breadboard (optional)



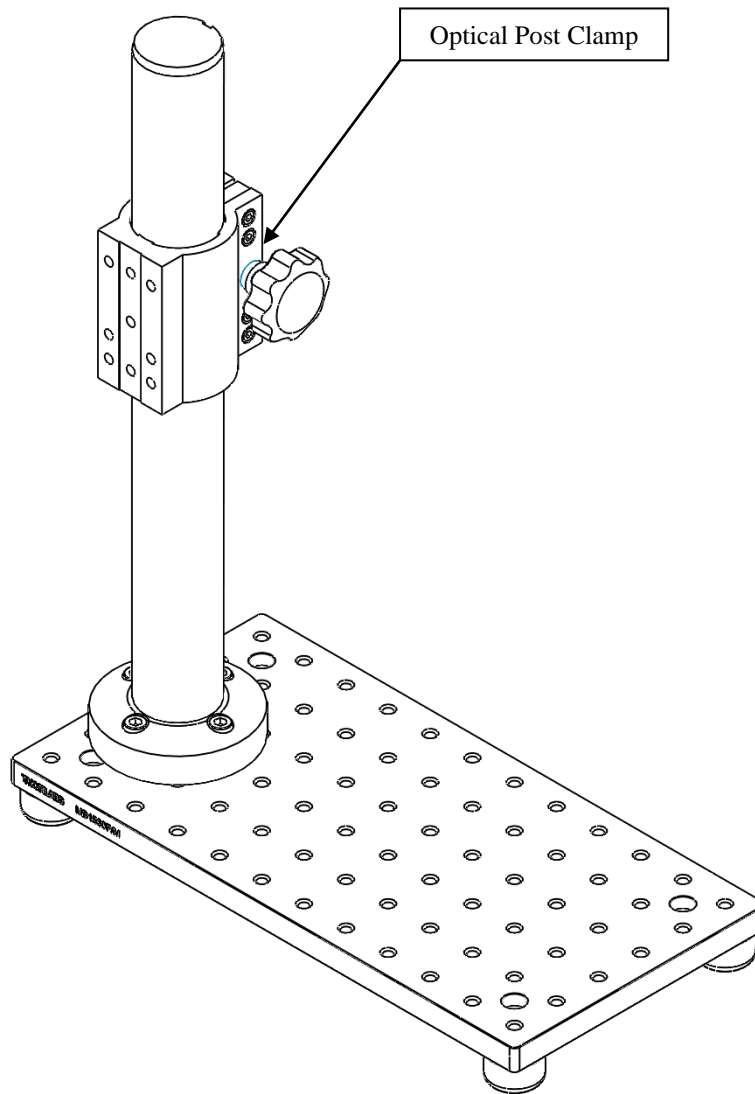


3.2 Install optical post (location optional)



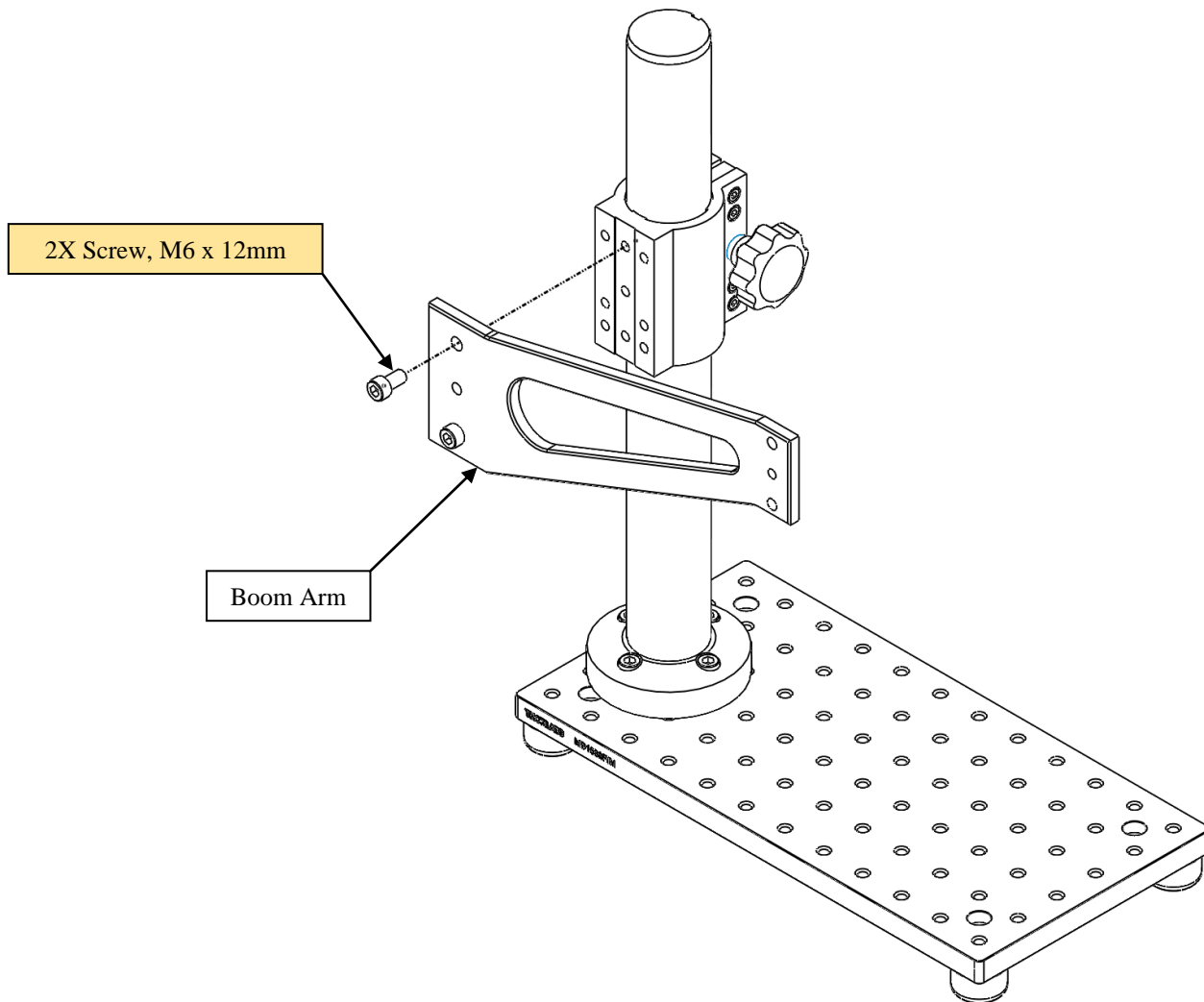


3.3 Install optical post clamp



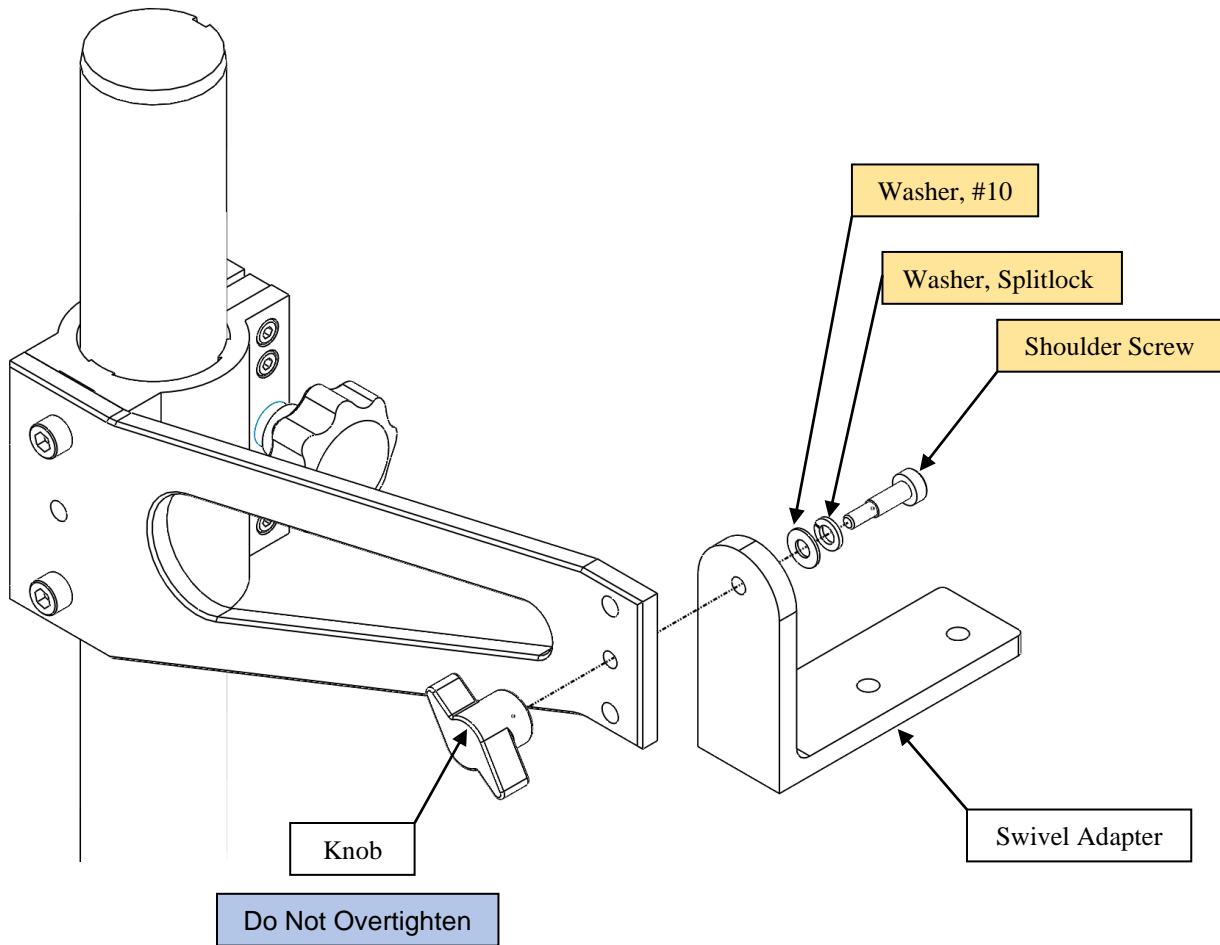


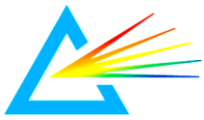
3.4 Install boom arm





3.5 Install swivel adapter and knob





3.6 Install projector and adjust position as necessary

